

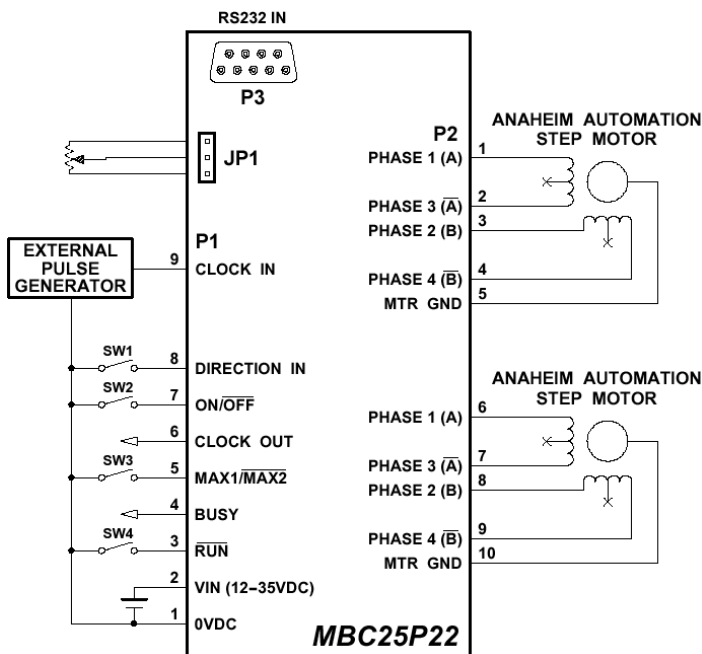
# PRODUCT RELEASE

## MBC25P22 - Programmable Dual Driver/Pulse Generator

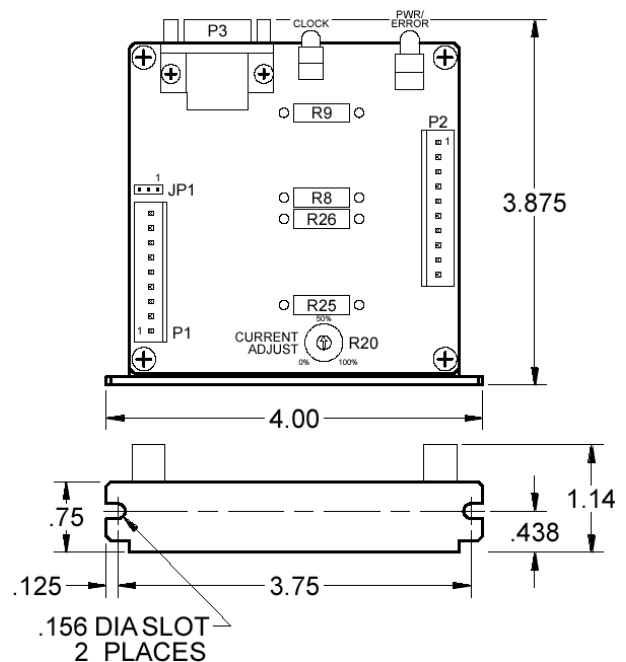
- Precise Synchronization of Two Step Motors
- Dual Driver Circuitry for Increased Performance
- Simple Programming Using a PC's Serial Port
- Two Programmable Speed Selections
- Two Ramp Down Modes
- Analog Potentiometer Input for Maximum Speed
- Clock Signal and Busy Outputs
- Programmable Acceleration and Deceleration

Anaheim Automation has developed a step motor driver specifically for the feed-conveyor industry, where high motor speed and precise synchronization is required. Anaheim Automation's engineers have incorporated additional circuitry to eliminate the load-sharing issues that typically slowed down motors. This design enables the motors to be run at 50% higher speeds than our earlier designs with no additional cost. Unlike other pulse generators with potentiometer settings, two different speed profiles can be programmed with exact speeds on the MBC25P22. Additionally, the MBC25P22 includes two 2.5A drivers, an analog potentiometer input for maximum speed, two ramp down modes, an input to select speed profiles, a Run/Stop input, busy output and an additional clock output for daisy chaining. All these features are incorporated in a compact, cost-effective package. Perhaps the most appreciable feature of the MBC25P22 is the Easy-to-Use Windows software that allows the user to enter all the parameters necessary for a specific application, which sends the information to the MBC25P22 via serial cable. The speeds can then be executed on startup or on command. If the application requires more than one MBC25P22, speeds can be saved on computer and sent to the multiple units by simply plugging in the serial cable and clicking SEND. This is an effective way of modifying speeds, quickly sending the information to multiple units. If your application calls for a durable, cost-effective programmable driver/pulse generator, the MBC25P22 is your solution.

### Hookups



### Dimensions



**ANAHEIM AUTOMATION**

910 East Orangefair Lane, Anaheim, CA 92801  
e-mail: info@anaheimautomation.com

(714) 992-6990 fax: (714) 992-0471  
website: www.anaheimautomation.com